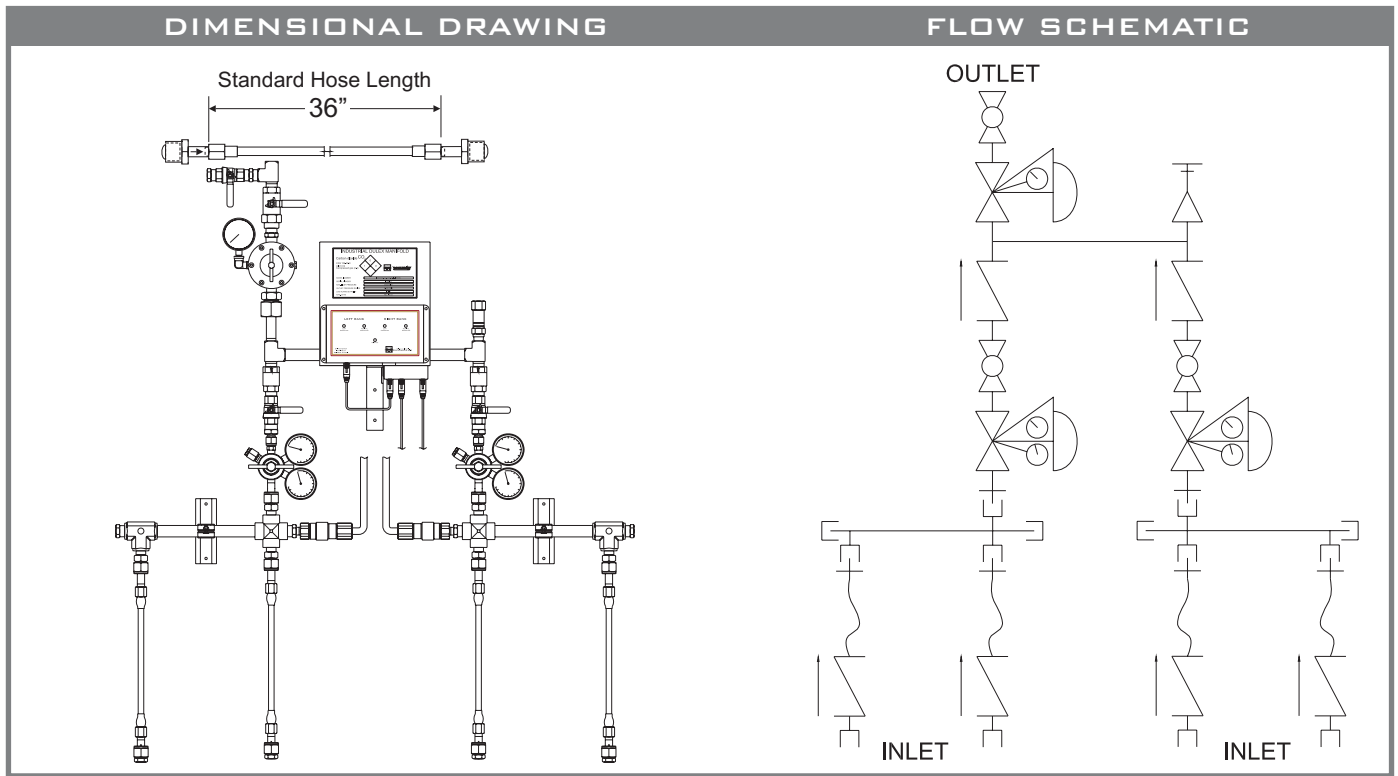




INDUSTRIAL DUPLEX MANIFOLDS DM3000 SERIES TECHNICAL SPECIFICATIONS



STANDARD SPECIFICATIONS AND MATERIALS OF CONSTRUCTION

Model **DM3000 Series Brass construction**

Brass Fittings and Pipe Materials

UNS C36000
UNS C37700

Flexible Hose

CGA Connections: Brass
Nylon hose; Thermoplastic

Ball Valve Materials

Ball: Brass Chrome Plated
Seat: Teflon PTFE
Body: Brass

Internal Check valves

Body: Brass
Seat: Viton™ (EPDM for CO₂ and N₂O Spring: 302 Stainless Steel)

Line Check valves

Body: Brass
Seat: EPDM

Intermediate Relief Valve

Body: Brass
Seat: Viton™ (EPDM for CO₂ and N₂O)
REGO set at 400 psi

Primary Regulator

Body: Brass
Seat: PCTFE

Secondary Regulator

Body: Brass
Seat and O-Rings: Viton™ (EPDM for CO₂ and N₂O Diaphragm)

Inlet Pressure gauges

Body: Brass
Bourdon Tube: Phosphor Bronze
Solder: Silver

Outlet Pressure Gauge

Body: Brass
Bourdon Tube: Phosphor Bronze
Solder: Soft Solder

