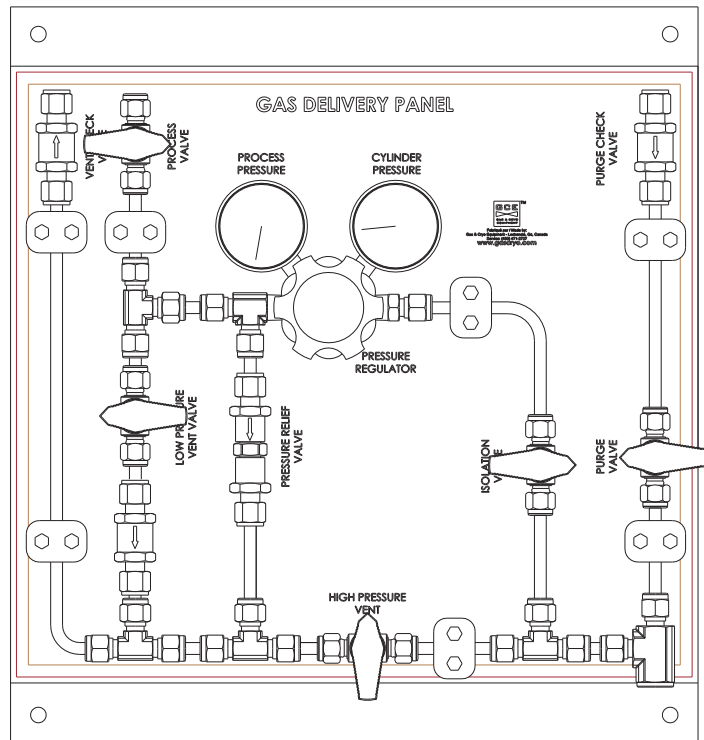




EQUIPMENT CATALOG

Gas Delivery Panels



*Helping our customers
to become more effective*



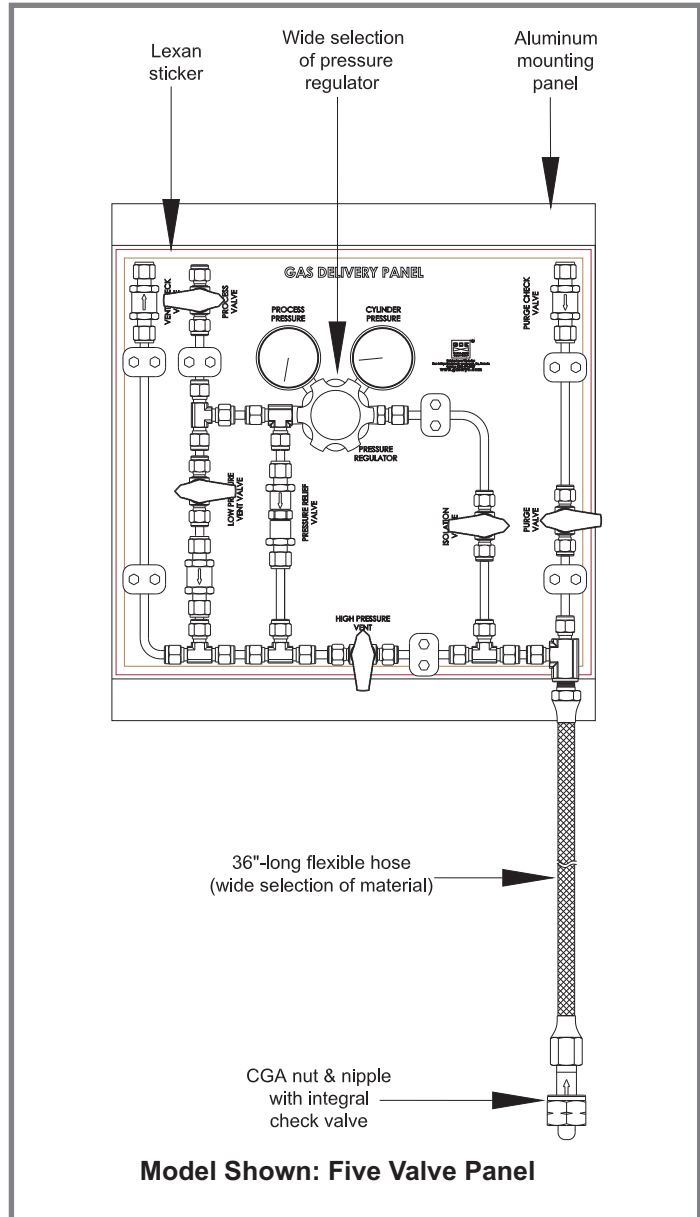
DESCRIPTION

The DP3000 Gas Delivery Panels are designed to provide precise and safe delivery of gases (corrosive, toxic, flammable or inert). These panels are ideal for applications requiring high purity levels. Each panel can be mounted as a stand alone configuration or in a gas cabinet.

You can select from a wide range of panel configurations, pressure reducing regulators, valves and materials to perfectly meet your application needs.

STANDARD FEATURES

- Rust-free aluminum mounting panel** with pre-drilled mounting holes
- Each gas labeled with the appropriate **NFPA hazard diamond**, CAS registry number, UN and DOT classifications
- Convenient name plate** with operating information such as maximum inlet pressure, outlet pressure range and safety relief valve set pressure
- Panels completely assembled and **tested prior to shipment**
- Customable panel to **meet your application needs and budget**
- Each valve, gauge, check valve and pressure relief valve **is identified** on a extremely resistant Lexan sticker

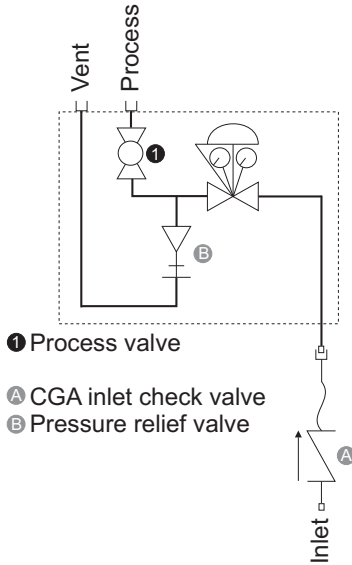


HOW TO ORDER - PART NUMBER MATRIX

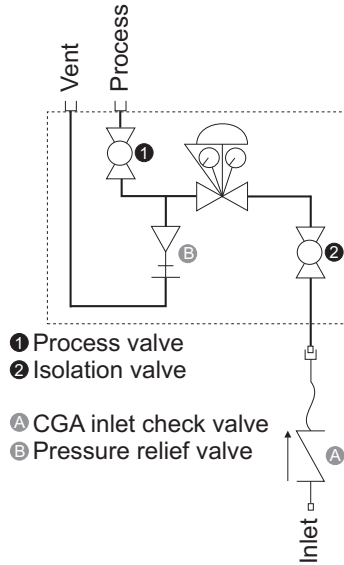
DP3000					
Series (inlet pressure)	Fluid	Outlet Pressure	Regulator	Flexible Hoses	Configuration
Standard Series	Most Specialty Gases Can Be Specified Including Acetylene And LPG	Standard Ranges (in psig) <input type="checkbox"/> 0-15 = 15 <input type="checkbox"/> 0-50 = 50 <input type="checkbox"/> 0-125 = 125 <input type="checkbox"/> 1-250 = 250 <input type="checkbox"/> 20-500 = 500 Other: Please Specify	<input type="checkbox"/> Brass / Single-Stage = B1 <input type="checkbox"/> Brass / Two-Stage = B2 <input type="checkbox"/> SS / Single-Stage = S1 <input type="checkbox"/> SS / Two-Stage = S2 Brass regulators are mounted with copper tubing and brass fittings Stainless steel regulators are mounted with stainless steel fittings and tubing	<input type="checkbox"/> Thermoplastic (Nylon) Steel Fittings = NH <input type="checkbox"/> Teflon innercore, SS braid, Brass Fittings = TH <input type="checkbox"/> Stainless Steel Innercore, Overbraid & Fittings = SH	<input type="checkbox"/> One valve panel = V1 <input type="checkbox"/> Two valve panel = V2 <input type="checkbox"/> Three valve panel = V3 <input type="checkbox"/> Four valve panel = V4 <input type="checkbox"/> Five valve panel = V5 Standard valve type is ball valve. Add the suffix D your valve configuration for diaphragm valves.
Optional Series					
<input type="checkbox"/> DP300 = 300 psi <input type="checkbox"/> DP1000 = 1000 psi <input type="checkbox"/> DP5000 = 5000 psi					

PANEL CONFIGURATIONS

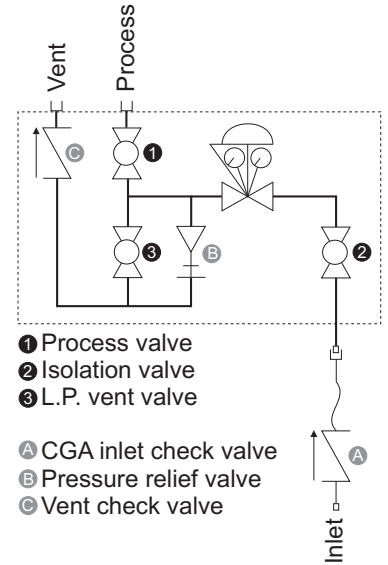
ONE VALVE PANEL



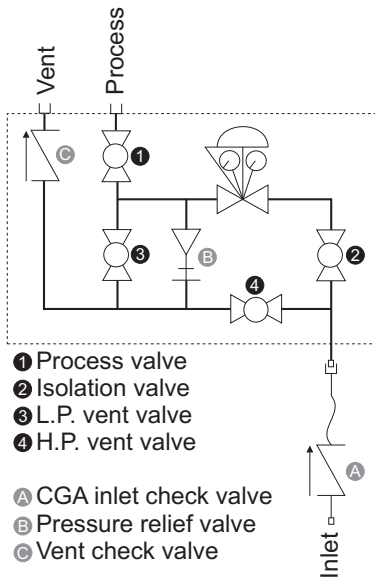
TWO VALVE PANEL



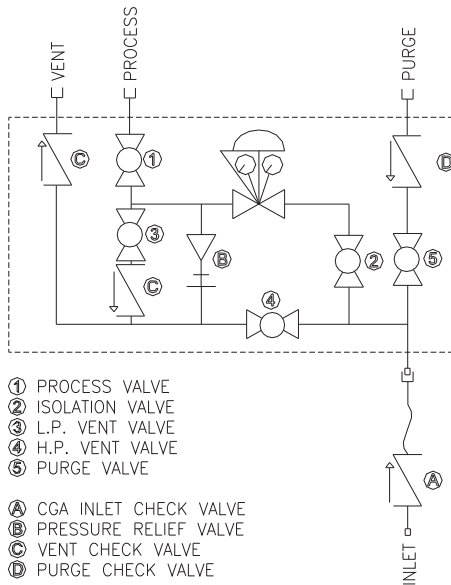
THREE VALVE PANEL








FOUR VALVE PANEL



FIVE VALVE PANEL



**MECHANICAL
LEGEND**

-  Ball valve or diaphragm valve
-  Check valve
-  Pressure reducing regulator
-  Pressure relief valve
-  Flexible hose