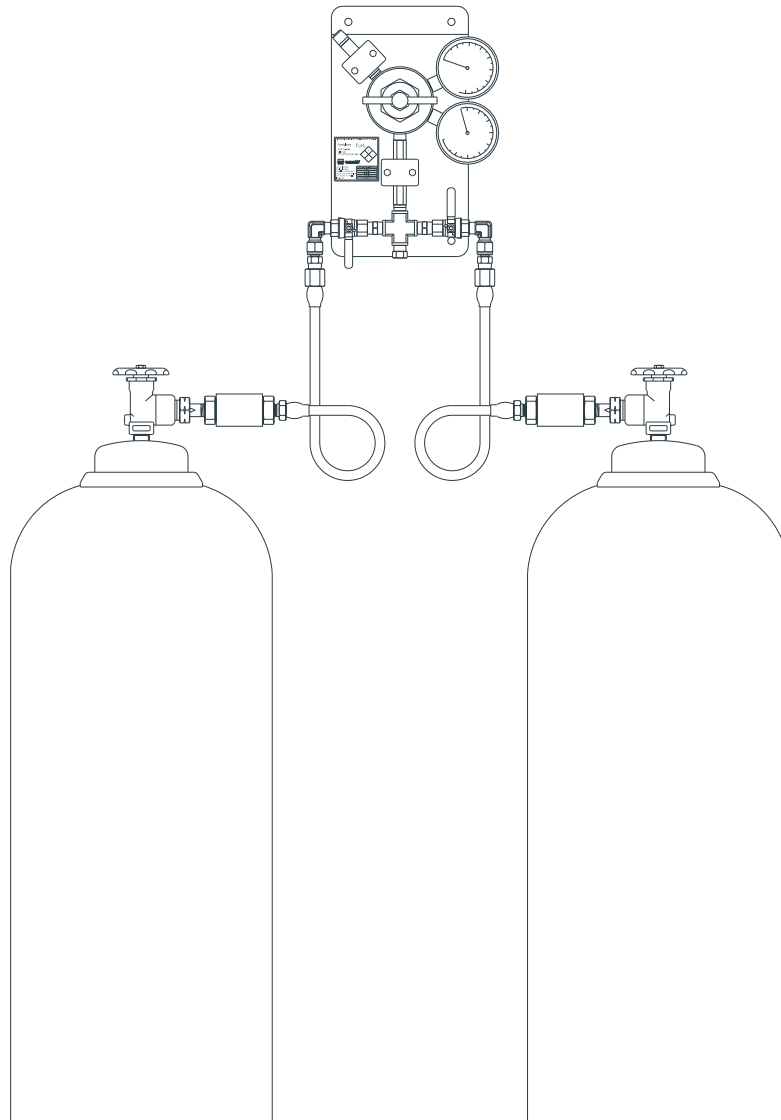


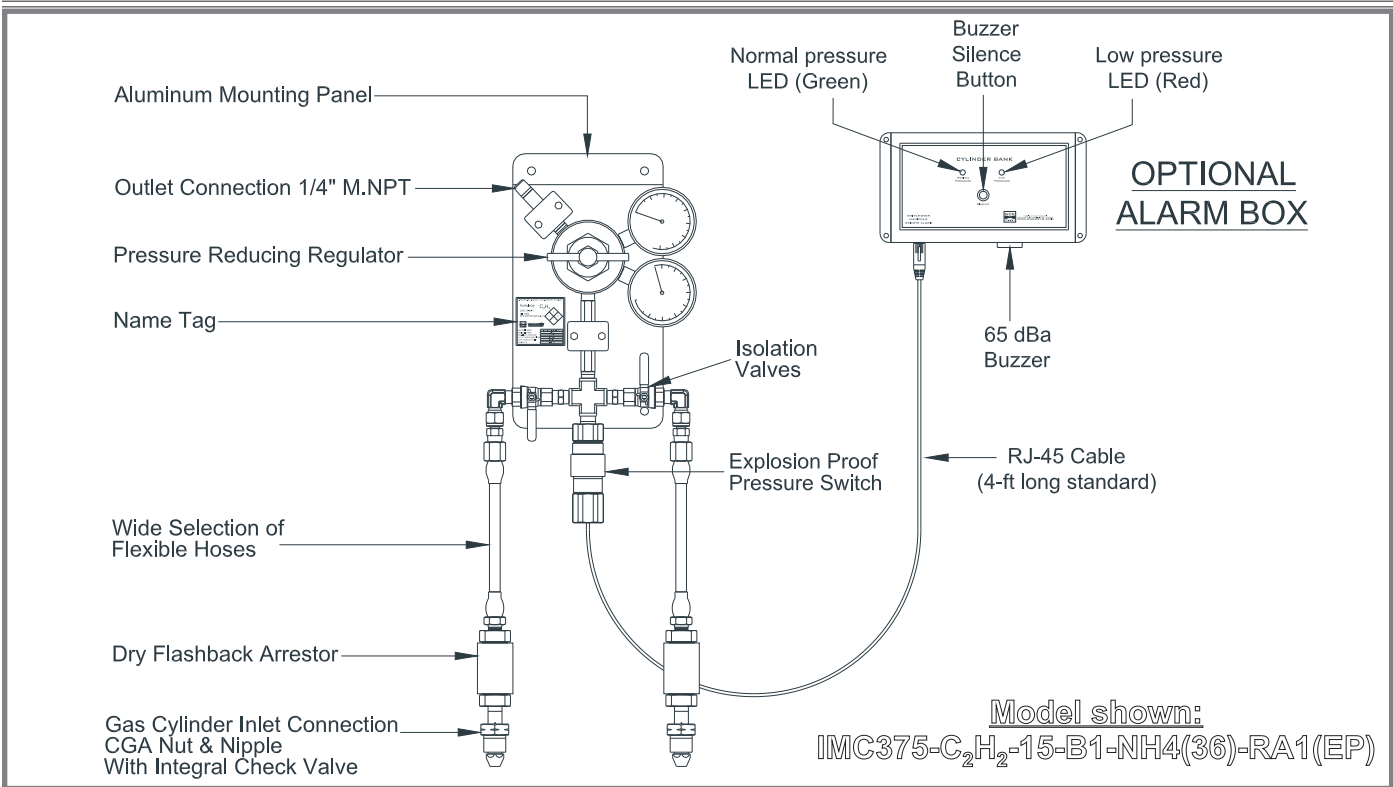
# EQUIPMENT CATALOG

*Industrial Manual Changeover Station  
For 350 PSIG Cylinders*



*Helping our customers  
to become more effective*





Model shown:  
IMC375-C<sub>2</sub>H<sub>2</sub>-15-B1-NH4(36)-RA1(EP)

### DESCRIPTION

The IMC375 Series Industrial Manual Changeover Stations allow manual switching between a primary cylinder and a reserve cylinder. By closing the depleted cylinders isolation valve and opening the reserve (full) isolation valve, you perform cylinder changeouts without gas supply interruption. The check valves in the flexible hoses prevent back flow from the full to the empty cylinder. The optional remote alarm will provide an audible and visual warning when a cylinder is near depletion.

#### Optional alarm

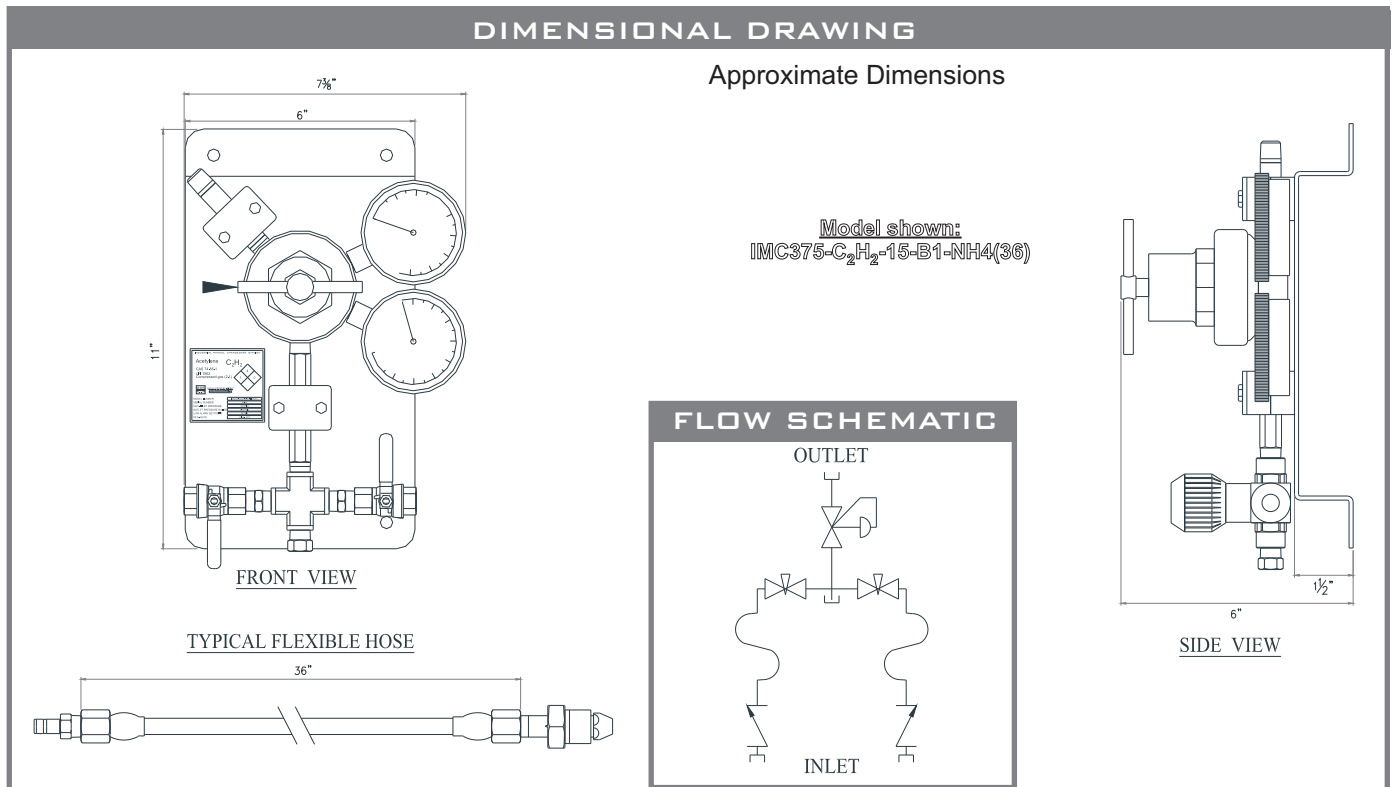
The optional remote alarm indicates the pressure status of each cylinder bank (green LED for normal pressure and red LED for low pressure). The red LEDs along with a built-in buzzer indicate when the cylinder bank is depleted and needs to be changed.

### STANDARD FEATURES

- Wide selection of regulators and hoses** - Customized equipment to suit any application
- Mounting panel** - Professional look, easy Installation
- Integral check valve on the flexible hoses** - Prevents gas from cascading to the empty cylinder during cylinder changeouts
- Isolation valve on each inlet**

### HOW TO ORDER - PART NUMBER MATRIX

IMC375	Fluid	Outlet Pressure	Regulator	Flexible Hoses	Options
<b>Series (inlet pressure)</b> Standard Series <input type="checkbox"/> IMC375 = 350 psig	<input type="checkbox"/> Acetylene = C <sub>2</sub> H <sub>2</sub> <input type="checkbox"/> Propane = C <sub>3</sub> H <sub>8</sub> <input type="checkbox"/> Propylene = C <sub>3</sub> H <sub>6</sub>  Most Specialty Gases Can Be Specified Including other LPG	<b>Standard Ranges (in psig)</b> <input type="checkbox"/> 0-15 = 15 <input type="checkbox"/> 0-40 = 40	<input type="checkbox"/> Brass = B1 <input type="checkbox"/> Single-Stage (Standard Regulator)	<input type="checkbox"/> Thermoplastic (Nylon) Steel Fittings 1/4" = NH4 <input type="checkbox"/> Teflon Innercore, SS Braid, = TH4 Brass Fittings 1/4" <input type="checkbox"/> Stainless Steel Innercore, = SH4 Overbraid & Fittings 1/4"	<input type="checkbox"/> Hazardous = RA1(EP) Location Alarm



**STANDARD SPECIFICATIONS AND MATERIALS OF CONSTRUCTION**

**Model**

**IMC375 Series  
Brass construction**

Maximum inlet pressure	350 psig
Outlet pressure range	See part number matrix
Inlet connection fitting	Gas related brass CGA nut & nipple
Gas service outlet connection	1/4" M.NPT
Operating temperature	-40°F to 140°F
Pressure gauge dial & material	2-1/2"-dial, brass
Fitting size & material	1/4" NPS, brass
Pressure regulator	
Body	Forged Brass Body
Filter	25-micron Bronze Capsule
Seats	PTFE
Vent & isolation valves	
Body	Brass ASTM B283-C37700
Seats	Teflon PTFE
Packing	Teflon PTFE