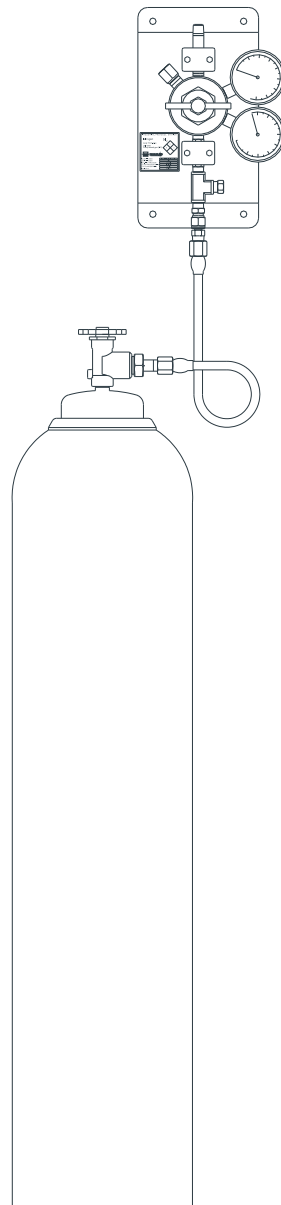


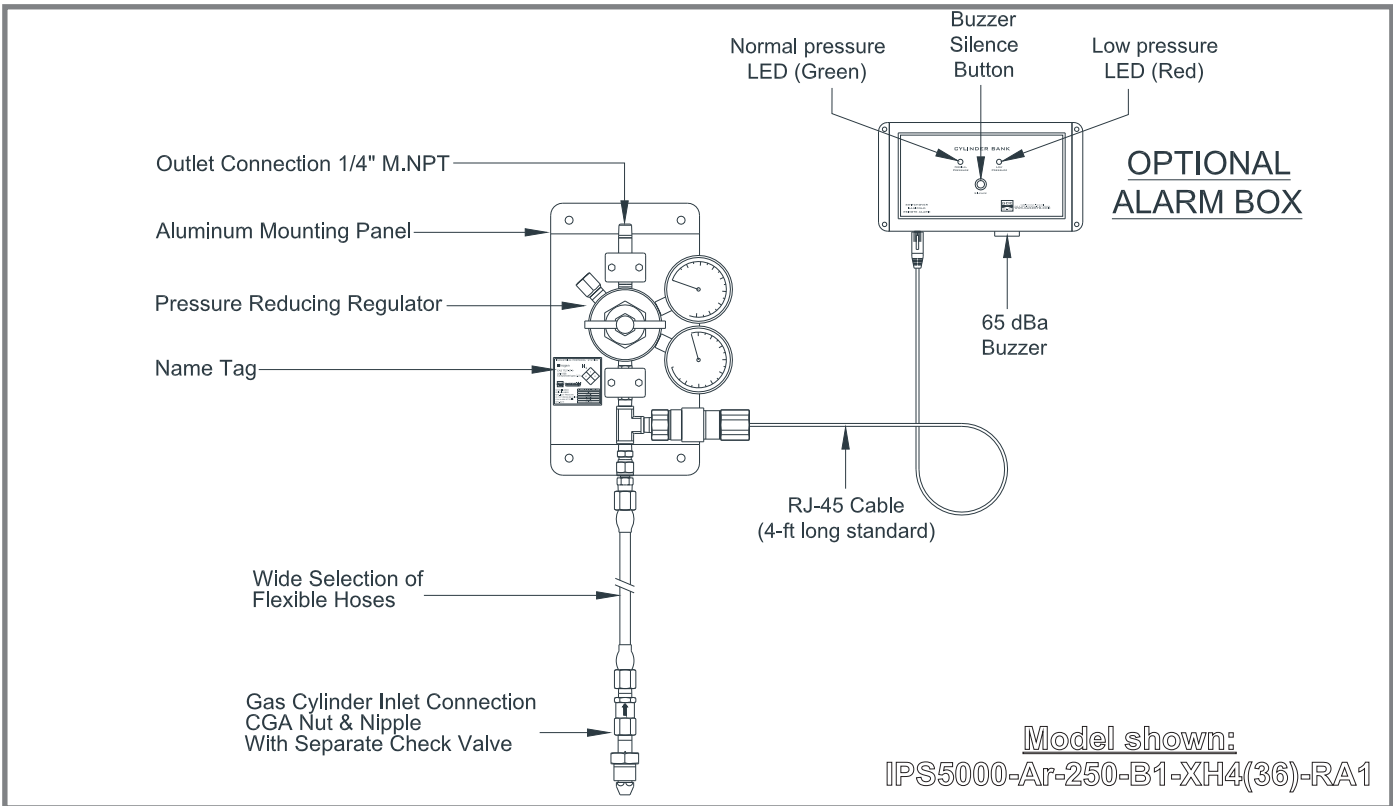
EQUIPMENT CATALOG

*Industrial Protocol Station
For 4500 psig Cylinders*



*Helping our customers
to become more effective*





DESCRIPTION

STANDARD FEATURES

The IPS5000 Series Industrial Protocol Stations is a convenient and safe way to panel mount any type of regulator, its flexible hose and an optional remote alarm. This regulator panel concept eases cylinder changeouts, prevents regulator damage, and allows the addition of options such as vent valves and alarm. The check valve in the flexible hose minimizes the introduction of air and airborne contaminants into the system. The optional remote alarm will provide an audible and visual warning when a cylinder is near depletion.

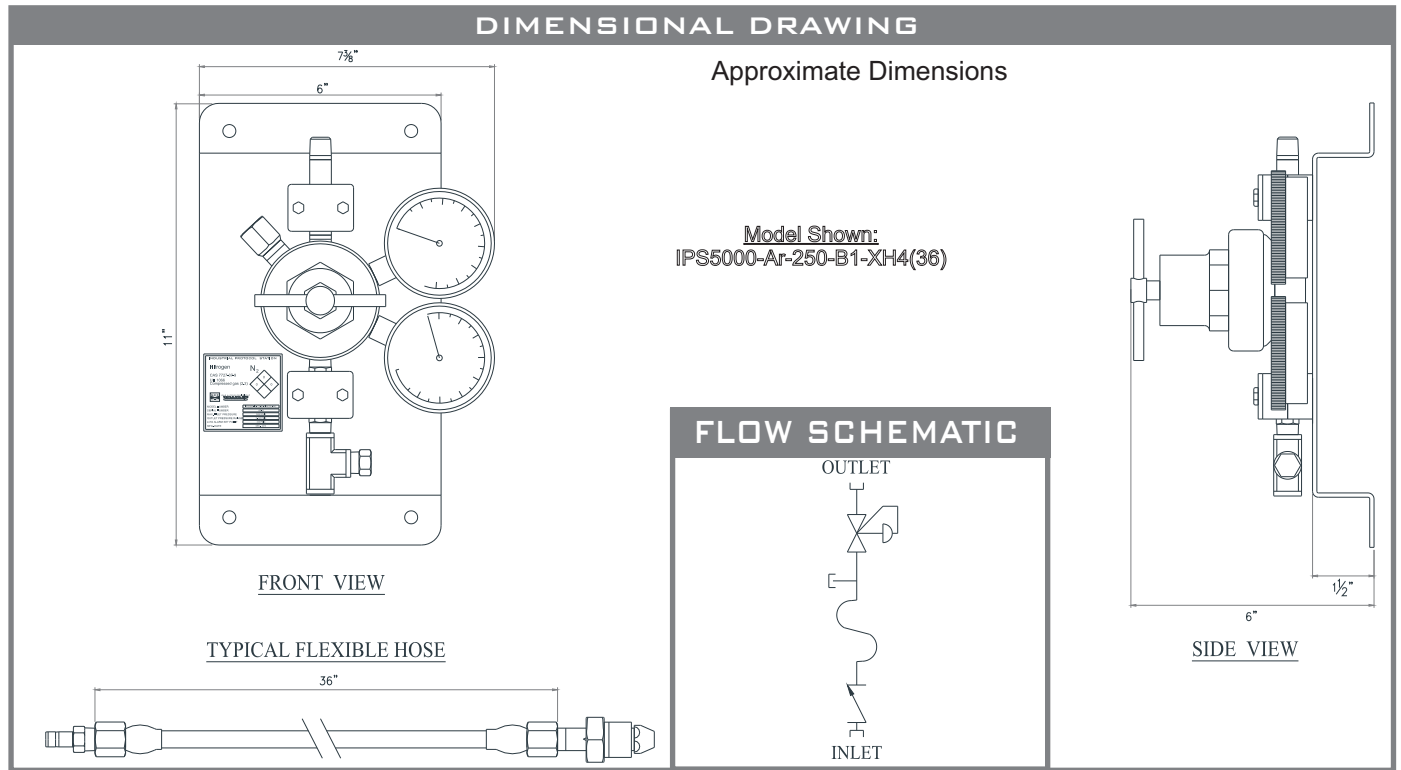
- Wide selection of regulators and hoses** - Customized equipment to suit any application
- Mounting panel** - Professional look, easy cylinder changeouts, prevents cylinder damages
- Integral check valve on the flexible hose** - Prevents system contamination

Optional alarm

The optional remote alarm indicates the pressure status of each cylinder bank (green LED for normal pressure and red LED for low pressure). The red LEDs along with a built-in buzzer indicate when the cylinder bank is depleted and needs to be changed.

HOW TO ORDER - PART NUMBER MATRIX

IPS5000	Fluid	Outlet Pressure	Regulator	Flexible Hoses	Options
Series (inlet pressure)	<input type="checkbox"/> Air = Air	Standard Ranges (in psig)	<input type="checkbox"/> Brass = B1	<input type="checkbox"/> Thermoplastic (Nylon) = XH4	<input type="checkbox"/> Standard Alarm = RA1
Standard Series	<input type="checkbox"/> Argon = Ar	<input type="checkbox"/> 0-120 = 120	<input type="checkbox"/> Single-Stage (Standard Regulator)	<input type="checkbox"/> Steel Fittings 1/4"	<input type="checkbox"/> Hazardous Location Alarm = RA1(EP)
<input type="checkbox"/> IPS5000 = 5000 psig	<input type="checkbox"/> Nitrogen = N ₂	<input type="checkbox"/> 0-250 = 250		<input type="checkbox"/> Teflon Innercore, SS Braid, SS Fittings 1/4"	
	<input type="checkbox"/> Helium = He	<input type="checkbox"/> 0-1500 = 1500			
	<input type="checkbox"/> Hydrogen = H ₂	<input type="checkbox"/> 0-2500 = 2500			
		<input type="checkbox"/> 0-4500 = 4500			



STANDARD SPECIFICATIONS AND MATERIALS OF CONSTRUCTION

Model **IPS5000 Series**
Stainless Steel construction

Maximum inlet pressure	5000 psig
Outlet pressure range	See part number matrix
Inlet connection fitting	Gas related brass CGA nut & nipple
Gas service outlet connection	1/4" M.NPT
Operating temperature	-40°F to 140°F
Pressure gauge dial & material	2-1/2"-dial, brass
Fitting size & material	1/4" NPS, Stainless Steel
Pressure regulator	
Body	Forged Brass Body
Filter	25-micron Bronze Capsule
Seats	PTFE