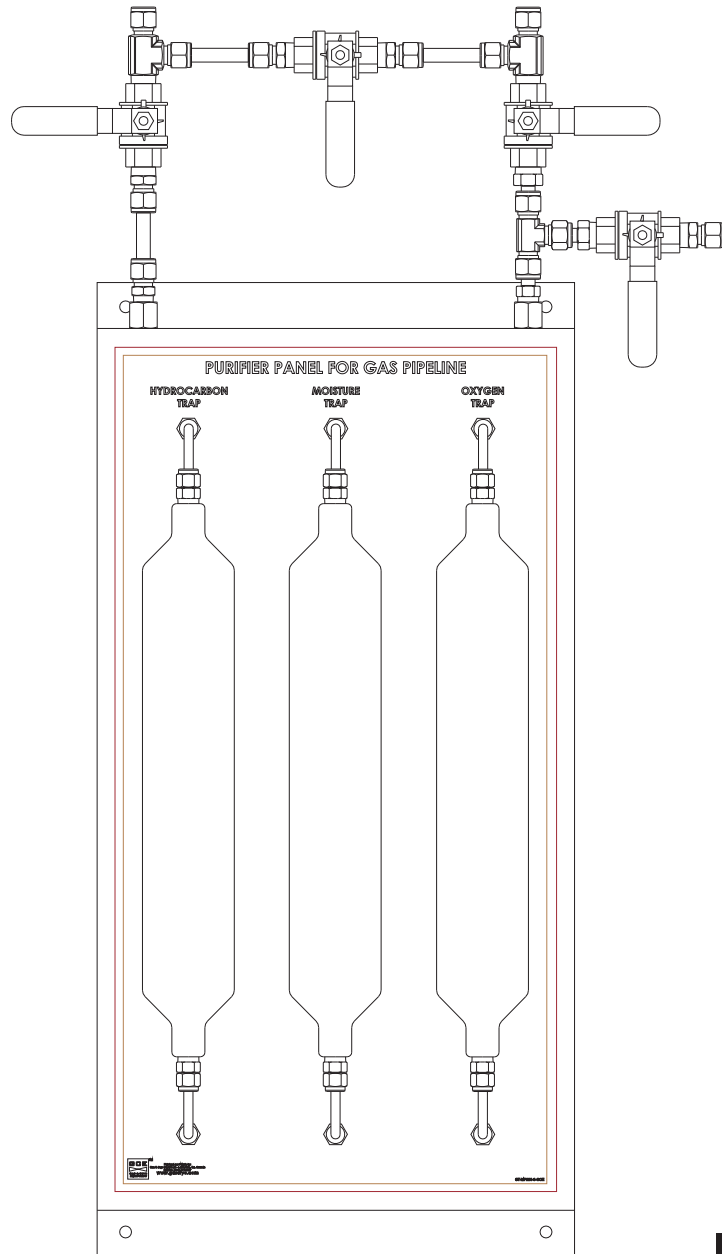


EQUIPMENT CATALOG

Multi-Purifier Panels



*Helping our customers
to become more effective*



DESCRIPTION

Designed for mass spec quality applications, the MFP-250 Series Multi-Purifier Panel reduces oxygen, moisture, hydrocarbons and carbon dioxide, to parts per billion levels. Particularly suited for use upstream of final line regulators, these multi-filter panels are designed to serve multiple gas chromatographs.

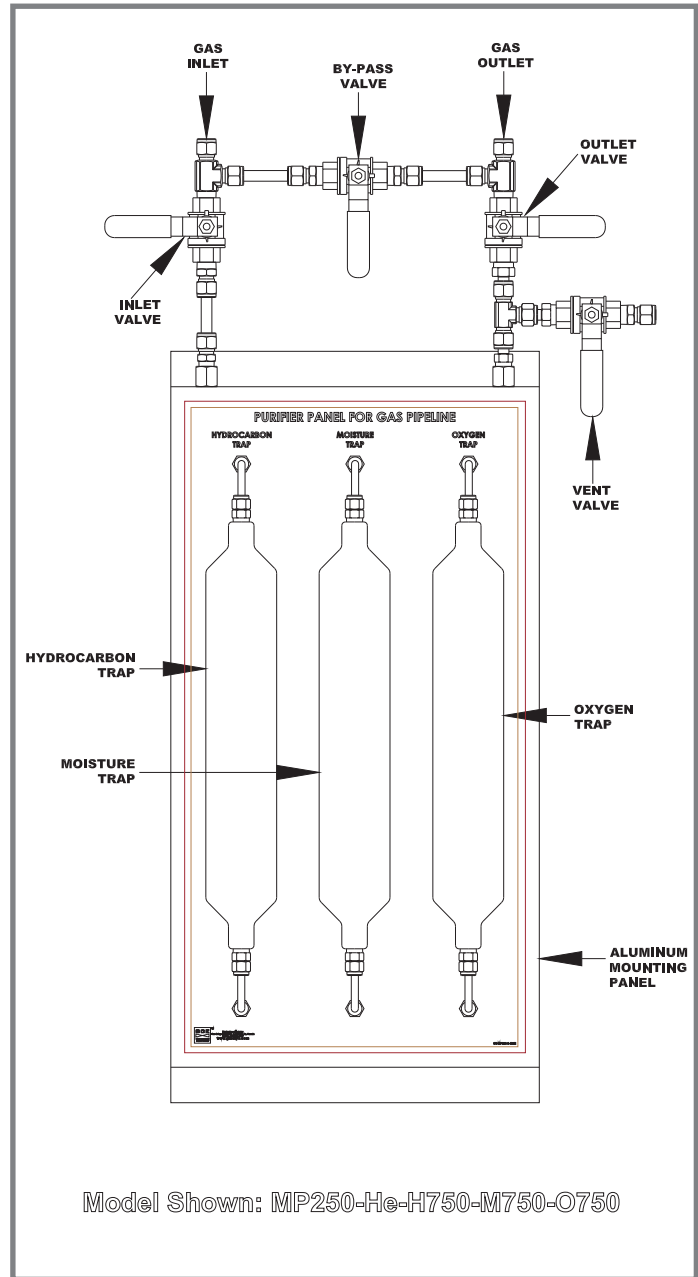
The unique design of the MFP-250 Series multi-purifier panel features inlet, outlet, by-pass and, vent valves. All tubing, piping, fittings and, valves are cleaned for high purity applications at the factory.

STANDARD FEATURES

- Panel mounted traps for easy changeouts
- Vent valve assures purity integrity by venting air and other contaminants out of the pipeline
- By-pass valve allows filter changeouts without interruption of gas supply
- The high capacity filters allow longer service before filter changeouts
- Suitable for most carrier and detector gases such as air, helium, hydrogen, and nitrogen
- Help to maintain your pipeline free of baseline noise inductive contaminants

INSTALLATION TIP

**INSTALL THIS PURIFIER PANEL NEAR
THE GAS SOURCE**



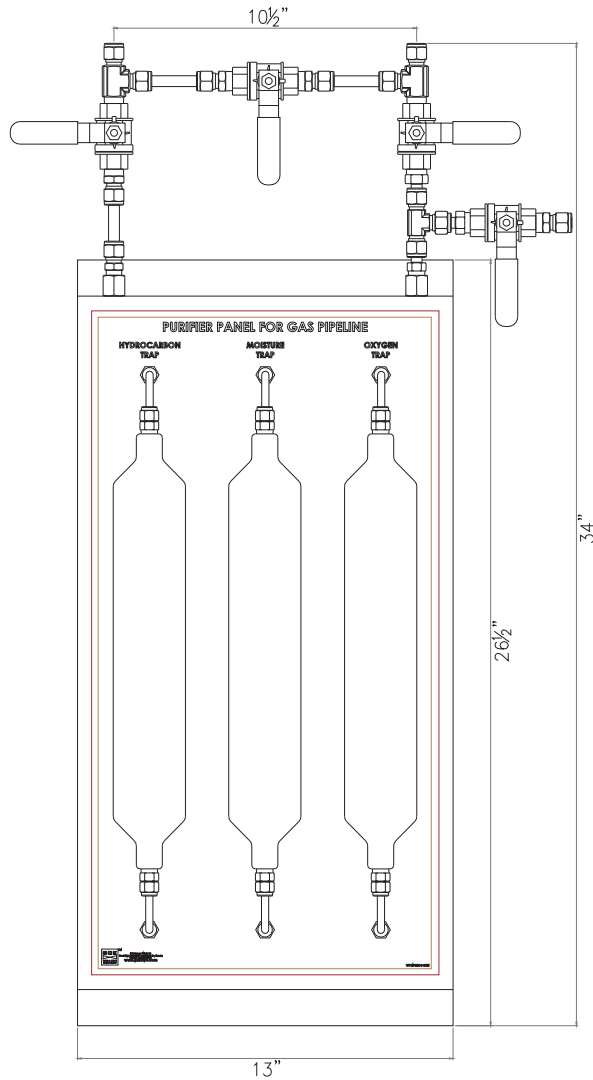
Model Shown: MP250-He-H750-M750-O750

HOW TO ORDER - PART NUMBER MATRIX

MP250	-		-		-		-	
Basic Series		Typical Fluid		Hydrocarbon Trap Capacity		Moisture Trap Capacity		Oxygen Getter Capacity
		<input type="checkbox"/> Air = Air		Standard Size		Standard Size		Standard Size
		<input type="checkbox"/> Nitrogen = N2		<input type="checkbox"/> 750 cc = H750		<input type="checkbox"/> 750 cc = M750		<input type="checkbox"/> 750 cc = O750
		<input type="checkbox"/> Helium = He						
		<input type="checkbox"/> Hydrogen = H2						

DIMENSIONAL DRAWING

Approximate Dimensions



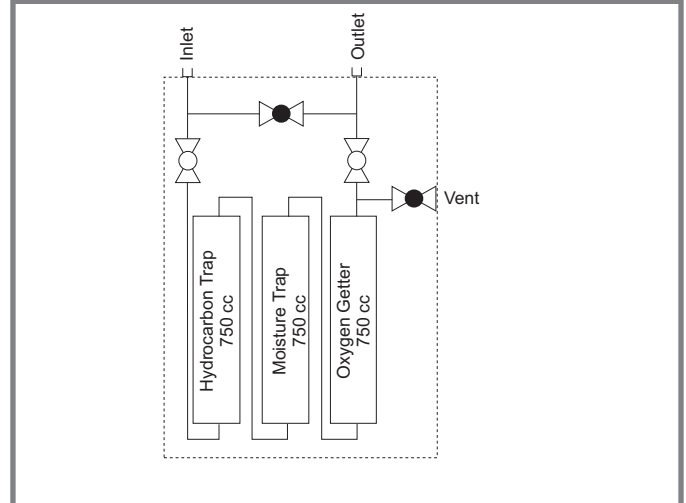
Panel depth: 3"
Panel depth with filters: 7-1/2"

SPECIFICATIONS

Description

Maximum inlet pressure	250 psig
Inlet & outlet connections	3/8" compression S/S
Max. operating temperature	+ 212°F
Moisture trap	4A & 13X (NaA, NaX & Mg aluminosilicate) Alumina
Oxygen getter ingredients	Copper oxide Nickel oxide Cobalt oxide
Hydrocarbon trap ingredient	Activated carbon Type KE

FLOW SCHEMATIC



STANDARD MATERIALS OF CONSTRUCTION

Part description

Materials of construction

Ball valve	Body: stainless steel 316 - Ball: stainless steel 316 - Seats & seals: PTFE
Tubes	Stainless steel 304 and copper ASTM B280
Fittings	Stainless steel 316
Traps	Body: Aluminum - Fittings: Brass - Reacting Agents: See Above Specifications
Mounting panel (non wetted)	Aluminum