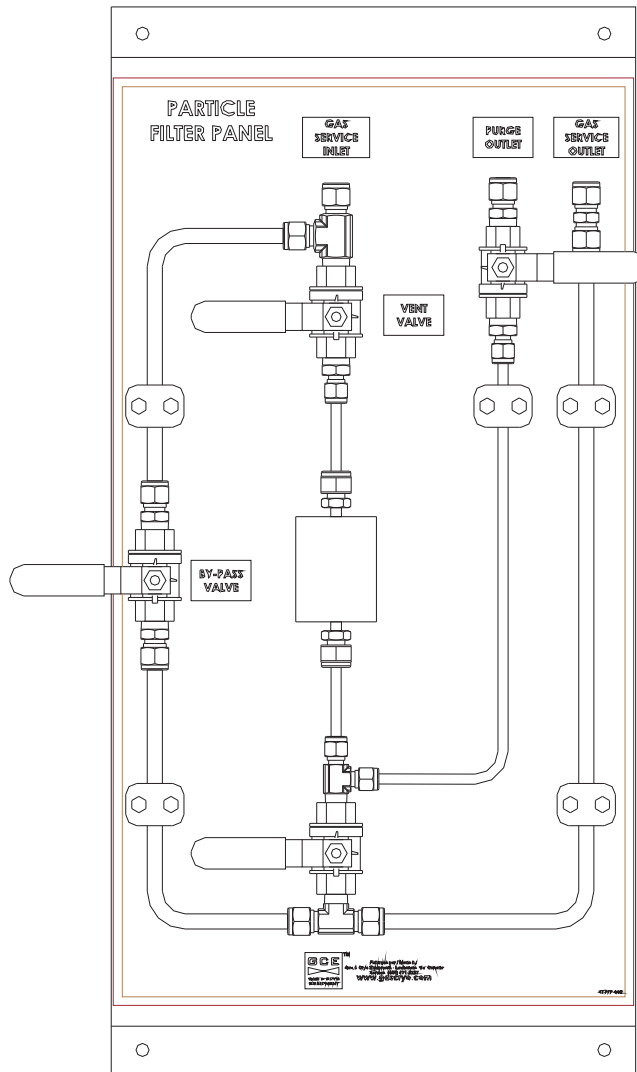




EQUIPMENT CATALOG

Particle Filter Panels



Helping our customers
to become more effective

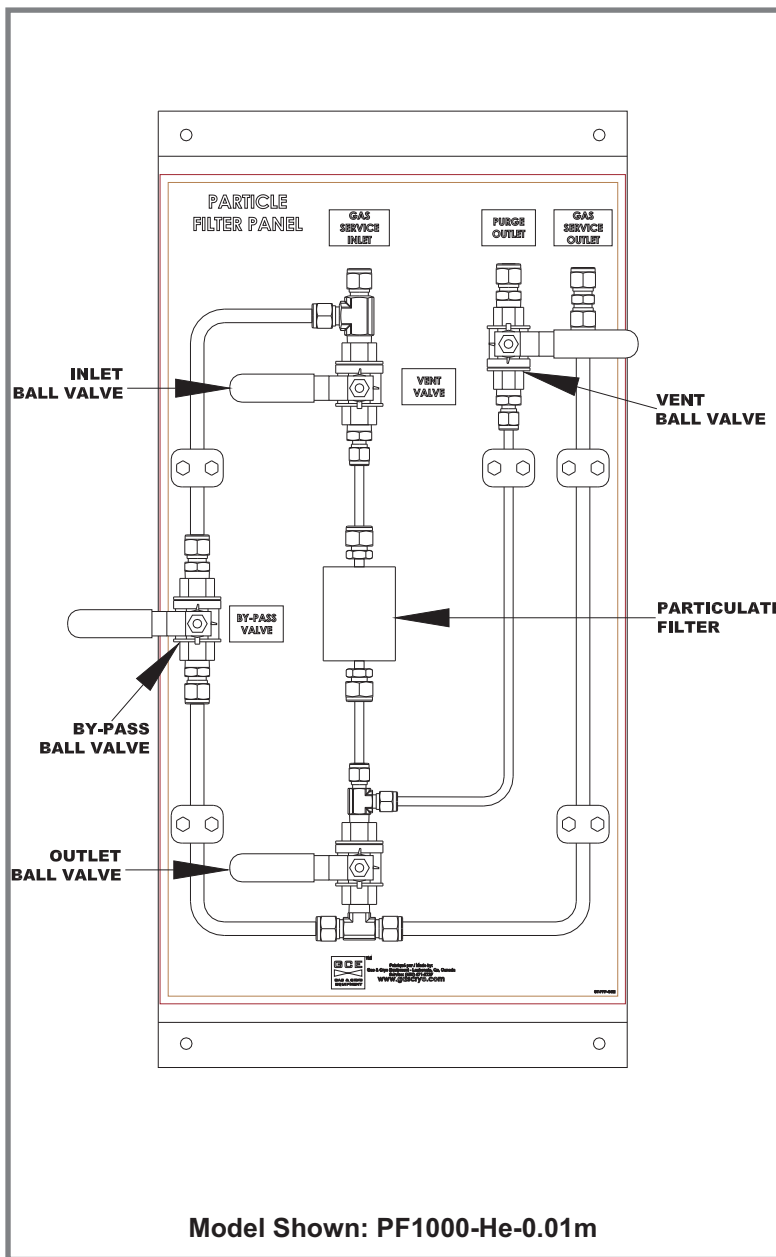
DESCRIPTION

The PF1000 Series Particle Filter Panels are ideal where extreme level of filtration is required. Our in-line filters are specifically designed to remove metals and other particulate matters from argon streams. Particularly suited for ICP and ICP-MS applications, the submicron filter membrane effectively remove all particles 0.01 micron or larger.

The panel mounted valves allow easy filter changeouts without interruption of argon supply or pipeline contamination.

STANDARD FEATURES

- Design - Low maintenance design with convenient access to panel valves and filter
- By-Pass Valve - Avoids gas supply shutdowns to the point-of-use during filter changeouts
- Purge Valve - Allows to flush the air and other contaminants out of the system before putting back the filter in service after filter changeouts
- Inlet and Outlet Valves - Its primary function is to isolate the filter during filter replacement process
- Filter - 0.2 micrometer pore size membrane removes all particles 0.01 micron or larger
- Stainless Steel 316 Parts - Minimize metal and particles release in the gas stream
- Construction - Convenient complete package easy to install with pre-drilled holes in the panel



Model Shown: PF1000-He-0.01m

HOW TO ORDER - PART NUMBER MATRIX

PF1000 — [] — []

Basic Series

Typical Fluid

- Argon = Ar
- Nitrogen = N2
- Helium = He
- Hydrogen = H2
- Other Please Specify

Standard Filter

- 0.01 micron = 0.01m

Optional Filters

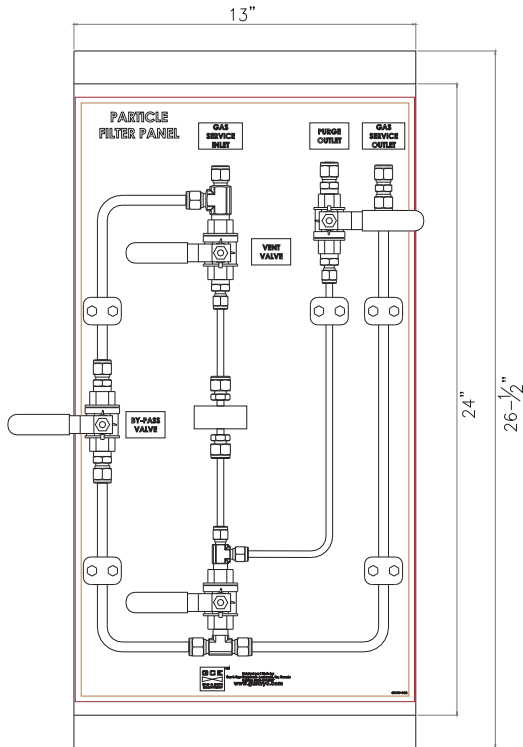
- 0.1 micron = 0.1m
- 2 microns = 2m

INSTALLATION TIP

WHEN USED FOR ICP OR ICP-MS APPLICATIONS, LOCATE THIS PANEL AS CLOSE AS POSSIBLE TO THE ANALYTICAL EQUIPMENT

DIMENSIONAL DRAWING

Approximate Dimensions



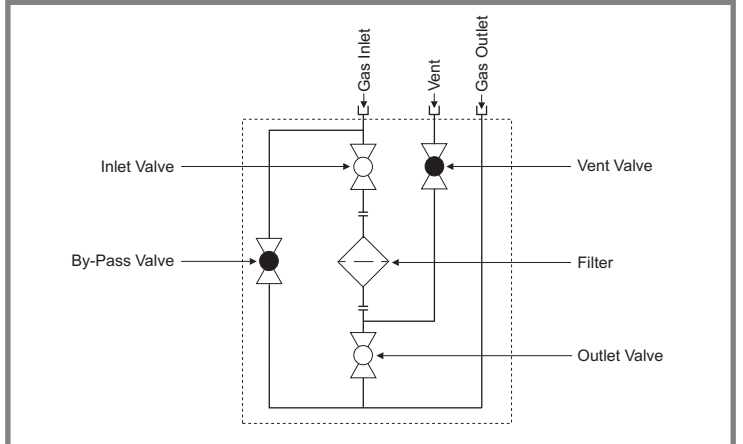
Panel Depth:..... 3"
 Panel Depth with Equipment:..... 5-1/2"

SPECIFICATIONS

Description

Maximum Operating Pressure	1000 psig
Maximum Operating Temperature	100°F
Maximum Differential Pressure	60 psi @ 70°F
Filtration Rating	0.01 micron @ 100% efficiency
Maximum Flow Capacity	250 lpm 15 psig to atm.
Filtration Area	0.5 ft ³
Inlet & Outlet Connections	3/8" compression SS
Approximate Weight	9 lbs

FLOW DIAGRAM



STANDARD MATERIALS OF CONSTRUCTION

Part Description

Materials of Construction (Wetted Parts Only)

Inlet & Outlet Ball Valves	Body: SS 316 ASTM A351 GR. CF8M- Ball: SS 316 - Seat & Seal: PTFE
Fittings	Type 316L Stainless Steel
Filter	Body and Fittings: Type 316L Stainless Steel - Filter Medium: PTFE Teflon O-Ring Seal: Teflon Encapsulated Silicone