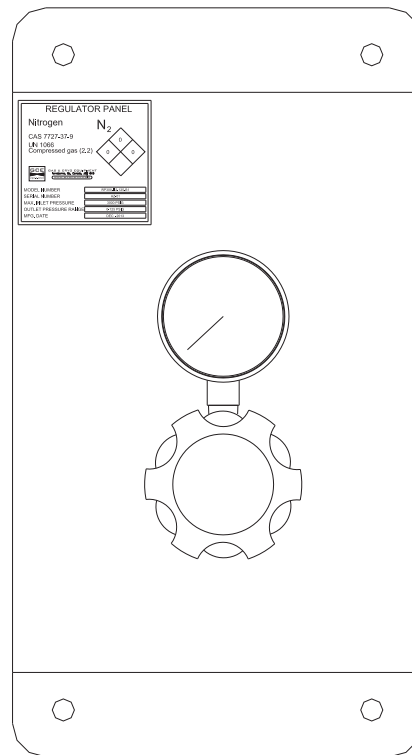




EQUIPMENT CATALOG

Regulator Panels Point-of-use



Helping our customers
to become more effective



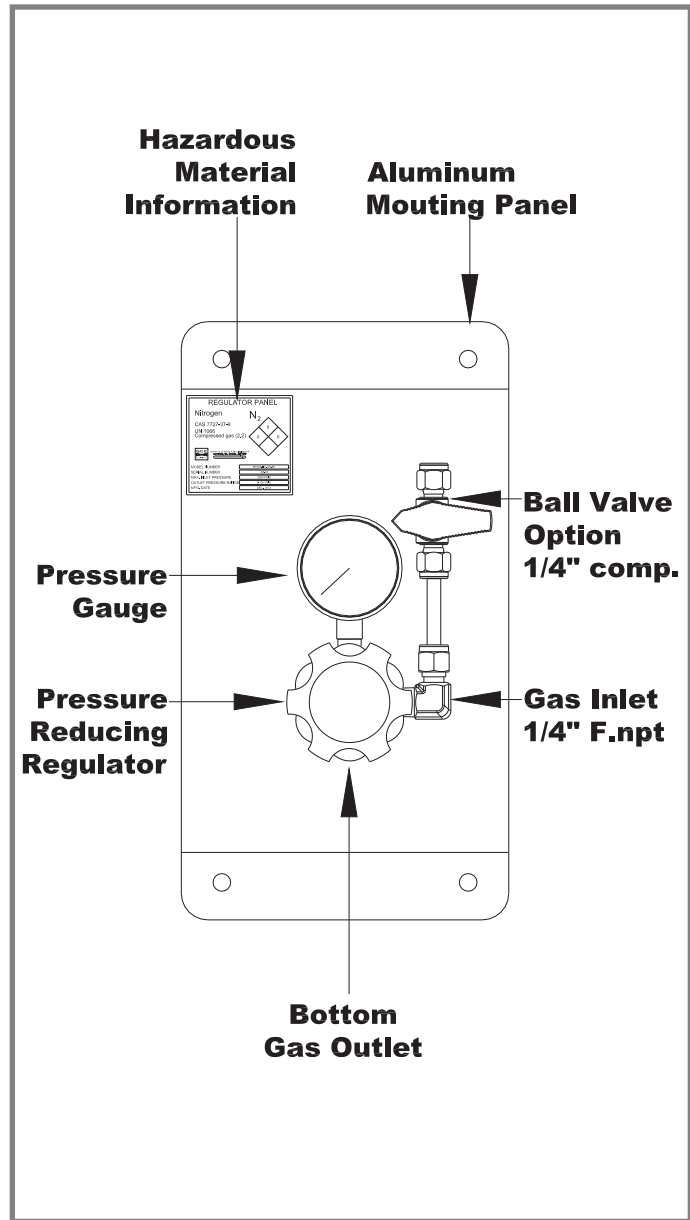
DESCRIPTION

The RP300 Series Regulator Panels are a convenient way to control end-of-line high purity gas delivery pressure. This equipment can be used as a stand-alone panel or can be combined with other regulators all on the mounting frame.

The system will accommodate any number of panel sections while allowing for future expansion. Our systems are designed, cleaned and built to maintain high purity levels.

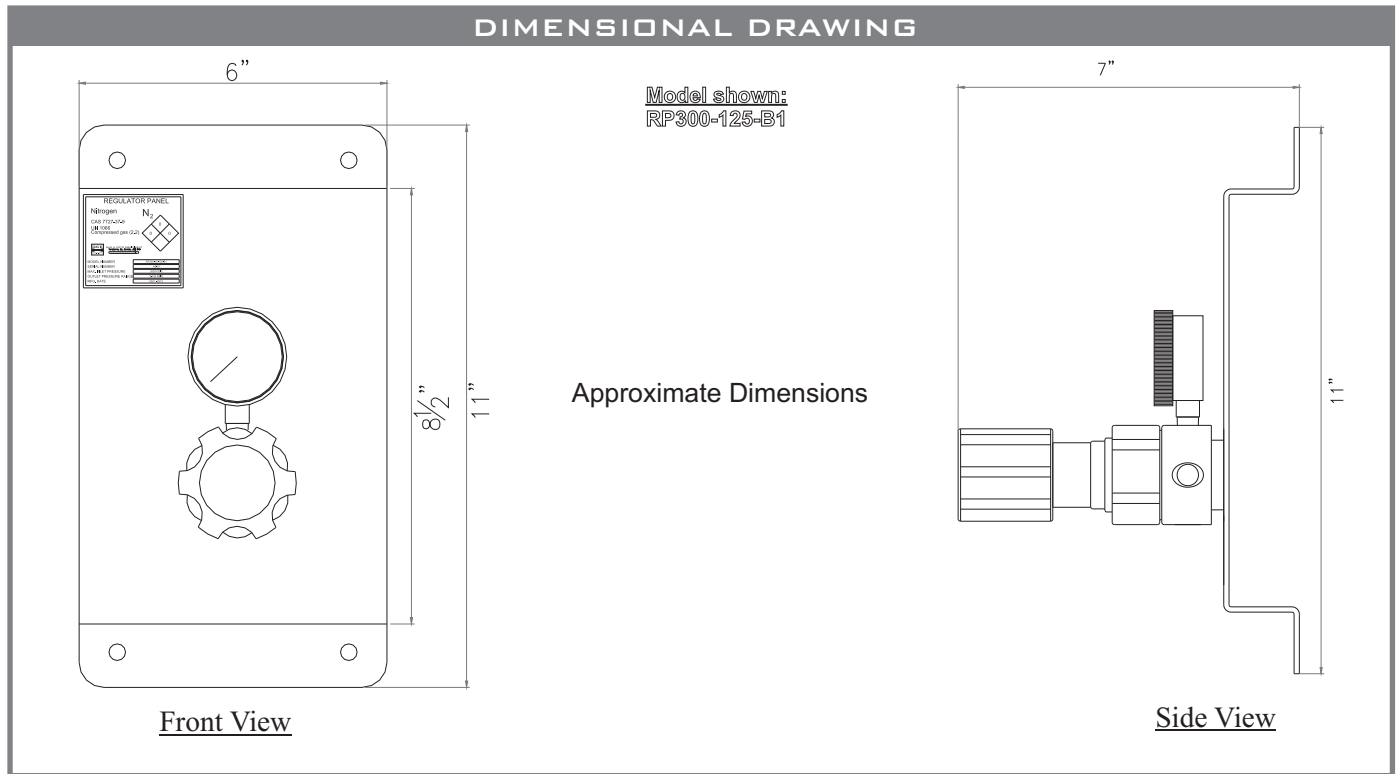
STANDARD FEATURES

- Rust-free aluminum mounting panel**
- Each gas labeled with the appropriate NFPA hazard diamond, CAS registry number, UN and DOT classifications
- Wide range of outlet pressure**
- Customable regulator panel with unlimited possibilities
- Pre-drilled holes for convenient installation**
- When selecting single regulator panels, system allows for upgrades or modifications
- Right inlet and bottom outlet**



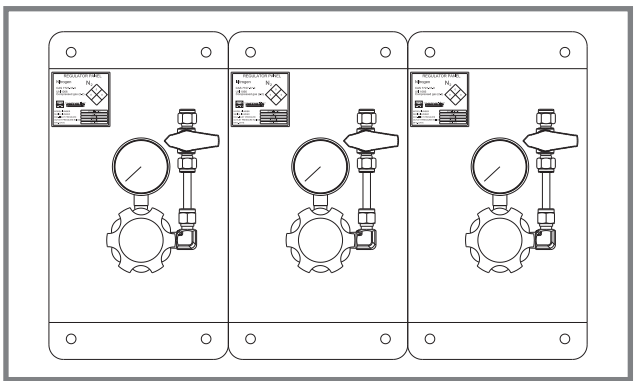
HOW TO ORDER - PART NUMBER MATRIX

RP300	—	<input type="text"/>	—	<input type="text"/>	—	<input type="text"/>	—	<input type="text"/>
Basic Series	Typical Fluid		Outlet Pressure		Regulator		Options	
	<input type="checkbox"/> Nitrogen = N ₂		<input type="checkbox"/> 0-15 psig = 15		<input type="checkbox"/> Brass / Single-Stage = B1		<input type="checkbox"/> Inlet Valve = V	
	<input type="checkbox"/> Helium = He		<input type="checkbox"/> 0-50 psig = 50		<input type="checkbox"/> Stainless Steel = S1			
	<input type="checkbox"/> Carbon Dioxide = CO ₂		<input type="checkbox"/> 0-125 psig = 125		<input type="checkbox"/> Single-Stage			
	<input type="checkbox"/> Mix = Mix		<input type="checkbox"/> 0-250 psig = 250					
	Other Please Specify							



STANDARD SPECIFICATIONS

Description	
Maximum Inlet Pressure	3000 psig
Outlet Pressure Range	0-125 psig
Inlet Connection	1/4" F.NPT S/S
Outlet Connection	1/4" F.NPT S/S
Operating Temperature	-20°F to 100°F
Pressure Gauge Dial	2"
Tube Diameter	1/4" O.D.
Pressure Regulator Type	Single Stage, High Purity



STANDARD MATERIALS OF CONSTRUCTION

Part Description	Materials of Construction (Wetted Parts Only)
Ball Valve	Body: Stainless Steel 316 - Ball: Stainless Steel 316 - Packing & Seal: PTFE
Fittings	Stainless Steel 316
Pressure Gauge	Brass: CDA 360 Inlet - Stainless Steel 316
Tubing	Stainless Steel 304
Regulator	Body & Bonnet: Brass or Stainless Steel- Diaphragm: Stainless Steel