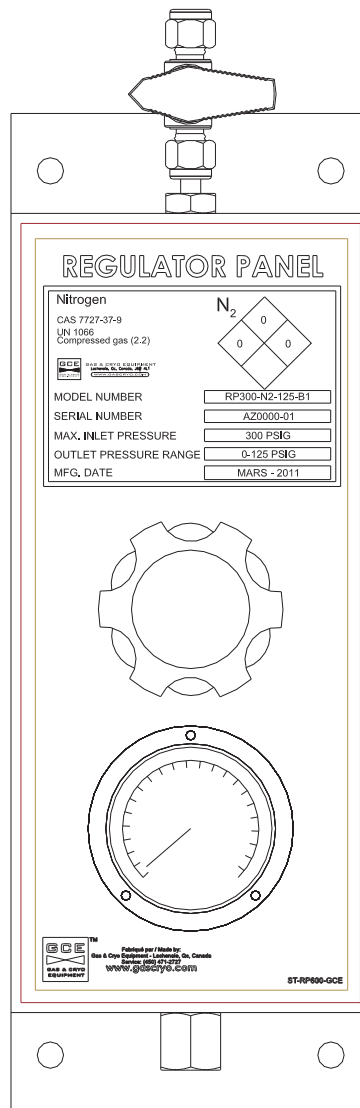




# EQUIPMENT CATALOG

## Regulator Panels Point-of-use



Helping our customers  
to become more effective

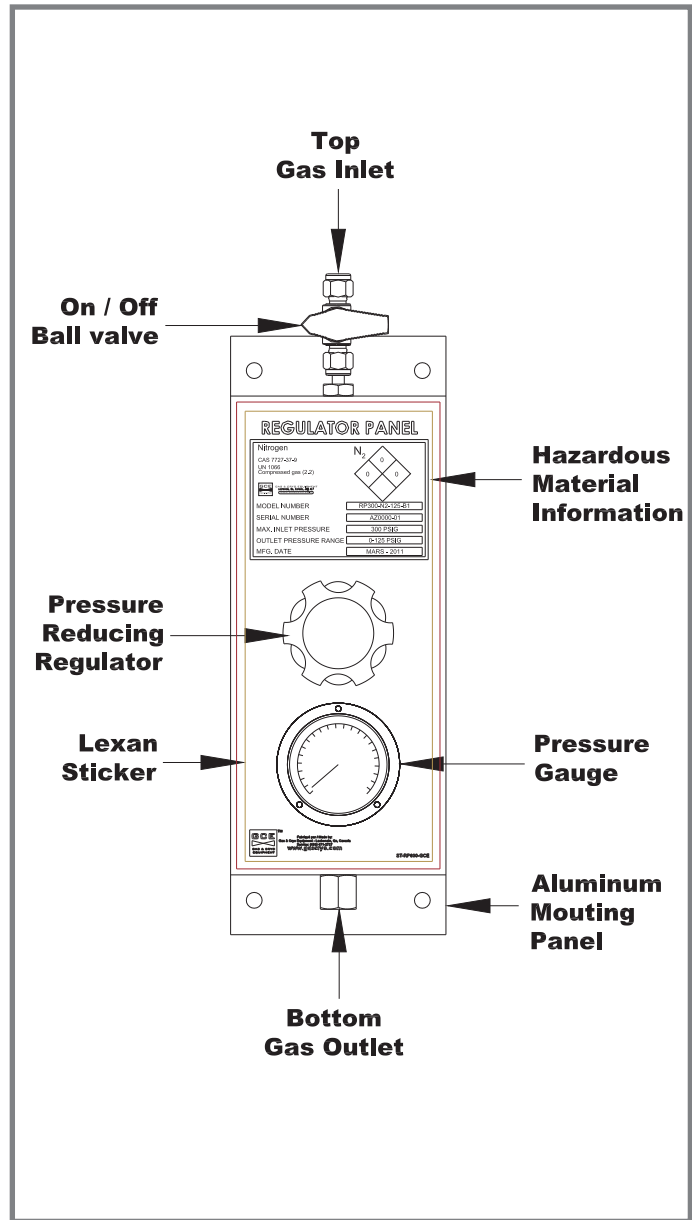
**DESCRIPTION**

The RP600 Series Regulator Panels are a convenient way to control end-of-line high purity gas delivery pressure. This equipment can be used as a stand-alone panel or can be combined with other regulators all on the mounting frame.

The system will accommodate any number of panel sections while allowing for future expansion. Our systems are designed, cleaned and built to maintain high purity levels.

**STANDARD FEATURES**

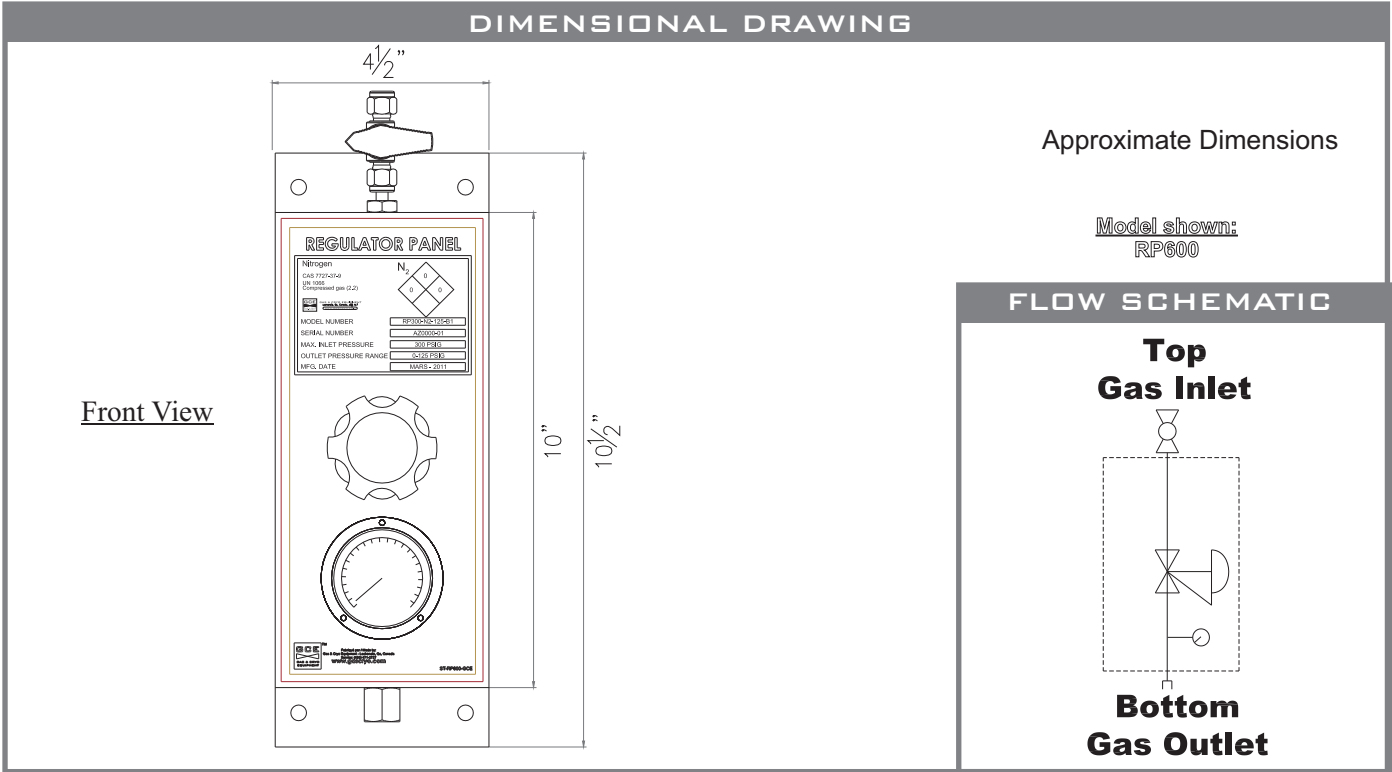
- Rust-free aluminum mounting panel
- Each gas labeled with the appropriate NFPA hazard diamond, CAS registry number, UN and DOT classifications
- Wide range of outlet pressure
- Panels completely assembled and tested prior to shipment
- Customable regulator panel with unlimited possibilities
- Pre-drilled holes for convenient installation
- When selecting single regulator panels, system allows for upgrades or modifications
- Top inlet and bottom outlet



**HOW TO ORDER - PART NUMBER MATRIX**

<b>RP600</b>	—	<input type="text"/>	—	<input type="text"/>
<b>Basic Series</b>	<b>Typical Fluid</b>		<b>Outlet Pressure</b>	
<input type="checkbox"/>	Nitrogen	= N <sub>2</sub>	<input type="checkbox"/>	0-15 psig = 15
<input type="checkbox"/>	Helium	= He	<input type="checkbox"/>	0-50 psig = 50
<input type="checkbox"/>	Carbon Dioxide	= CO <sub>2</sub>	<input type="checkbox"/>	0-125 psig = 125
<input type="checkbox"/>	Mix			
	Other Please Specify			

**DIMENSIONAL DRAWING**

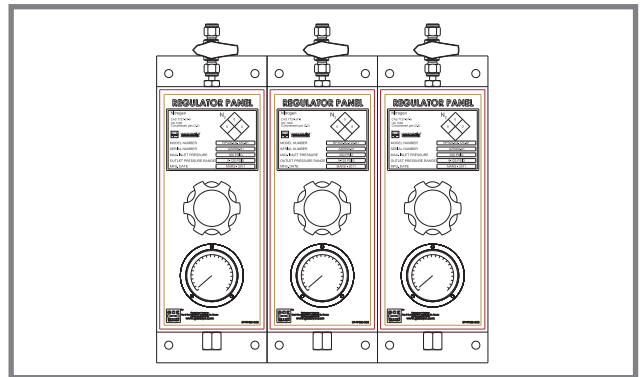


Front View

**STANDARD SPECIFICATIONS**

**Description**

Maximum Inlet Pressure	1000 psig
Outlet Pressure Range	0-125 psig
Inlet Connection	1/4" compression S/S
Outlet Connection	1/4" F.NPT S/S
Operating Temperature	-40°F to 140°F
Pressure Gauge Dial	2-1/2"
Tube Diameter	1/4"
Pressure Regulator Type	Single Stage, High Purity



**STANDARD MATERIALS OF CONSTRUCTION**

**Part Description Materials of Construction (Wetted Parts Only)**

Ball Valve	Body: Stainless Steel 316 - Ball: Stainless Steel 316 - Packing & Seal: PTFE
Fittings	Stainless Steel 316 - Brass: CDA 360 & CDA 377
Pressure Gauge	Brass: CDA 360 Inlet
Tubing	Stainless Steel 304 - Copper
Regulator	Body & Bonnet: Brass - Diaphragm: Stainless Steel