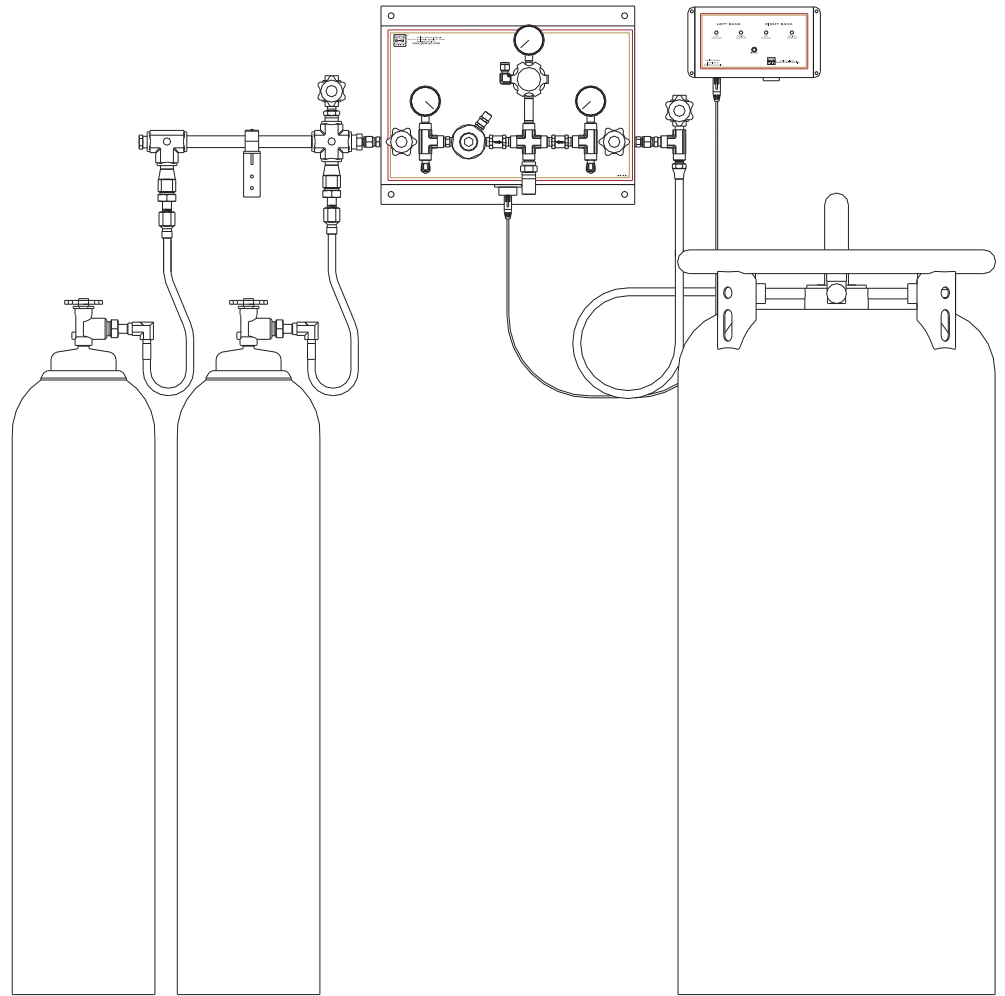


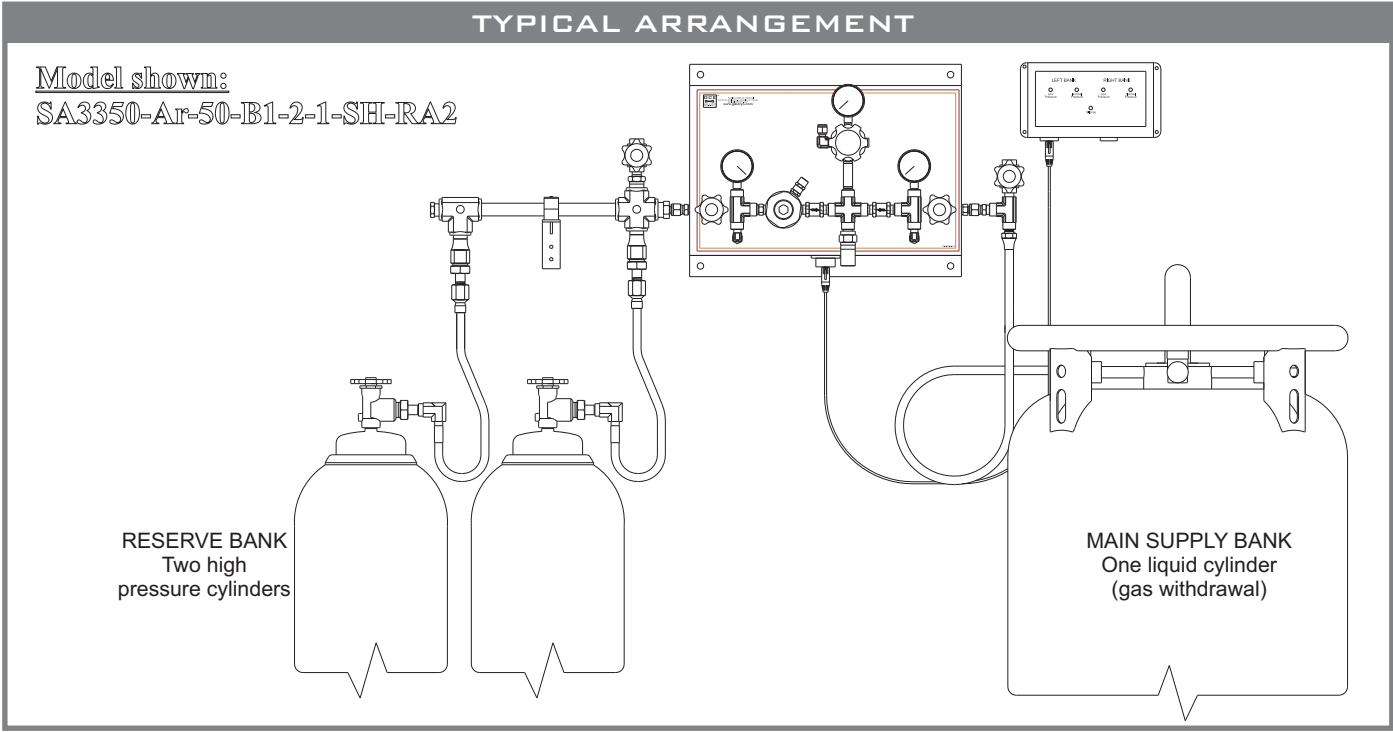


# EQUIPMENT CATALOG

## *Semi-Automatic Changeover Station*



## TYPICAL ARRANGEMENT



### DESCRIPTION

The SA3350 Series Semi-Automatic Changeover Stations are designed to provide back-up gas supply from high pressure gas cylinders where liquid cylinders are the primary source of high purity gases. The system activates the reserve bank when the liquid cylinder pressure drops below the preset pressure and deactivates when the liquid cylinder pressure rises above the preset pressure. Monitoring or operator adjustments are not required during the reserve bank activation or deactivation. The standard outlet regulator maintains constant line pressure even during the changeover process. The optional remote alarm box indicates when the pressure of each bank is either normal or low.

### STANDARD FEATURES

- High Purity** - Equipment components are designed, cleaned, and built to maintain gas purity
- Wide Selection Of Regulators and Hoses** - Customized equipment to suit any applications
- Mounting Panel** - Professional look, easy Installation
- Integral Check Valve In The Flexible Hoses** - Prevents gas to cascade from the full cylinder to the empty cylinder during cylinder changeouts
- Optional Remote Alarm** - Provides audible and visual indication when a bank of cylinders is depleted
- Optional Purge Valve** - Evacuate impurities out of the system

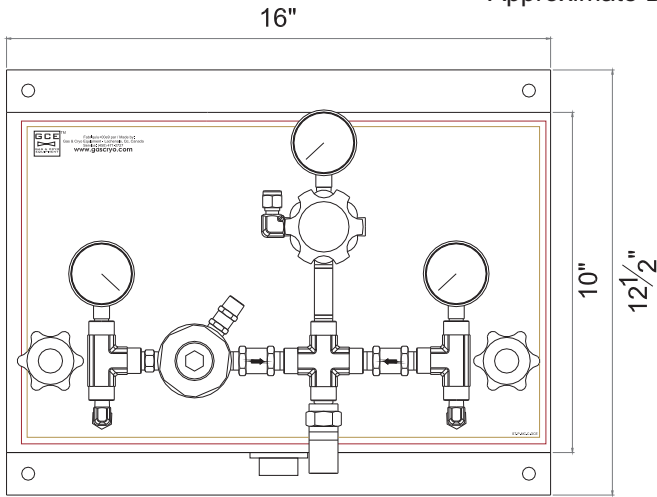
### HOW TO ORDER - PART NUMBER MATRIX

SA3350							
<b>Series (inlet pressure)</b> Standard Series <input type="checkbox"/> 3000 psi (Reserve) 350 psi (Liq. Cyl.)	<b>Fluid</b> <input type="checkbox"/> Argon = Ar <input type="checkbox"/> Carbon Dioxide = CO2 <input type="checkbox"/> Nitrogen = N2 <input type="checkbox"/> Oxygen = O2	<b>Outlet Pressure</b> Standard Ranges (in psig) <input type="checkbox"/> 0-15 = 15 <input type="checkbox"/> 0-50 = 50 <input type="checkbox"/> 0-125 = 125 Other: Please Specify	<b>Regulator</b> <input type="checkbox"/> Brass = B1 Regulators <input type="checkbox"/> Stainless Steel = S1 Regulators	<b>High Pressure Bank</b> (Max. 6)	<b>Liquid Cylinder Bank</b> (Max. 2)	<b>Flexible Hoses</b> <input type="checkbox"/> Thermoplastic (Nylon) Steel Fittings = NH <input type="checkbox"/> Teflon Core, Brass Fittings, S/Steel Braid = TH <input type="checkbox"/> All Stainless Steel = SH	<b>Options</b> <input type="checkbox"/> Standard Alarm = RA2 <input type="checkbox"/> Vent Valve = VV <input type="checkbox"/> Hand Tight Nut = HT

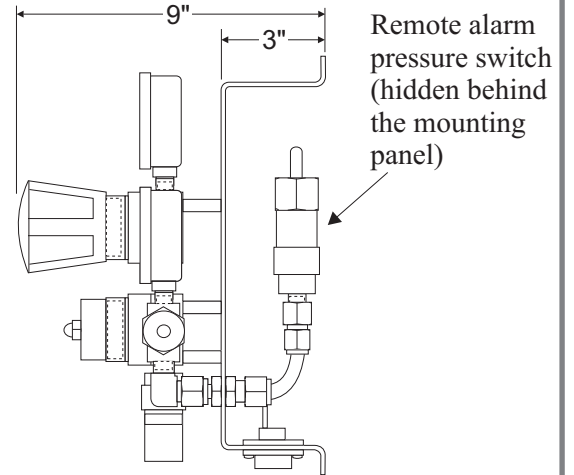
WHEN STAINLESS STEEL REGULATORS ARE SELECTED, ALL FITTINGS, GAUGES AND PRESSURE SWITCHES ARE AUTOMATICALLY SUPPLIED IN STAINLESS STEEL

**DIMENSIONAL DRAWING**

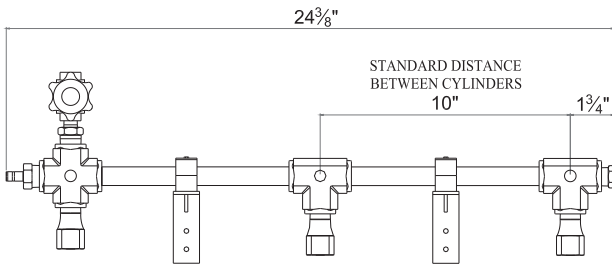
Approximate Dimensions



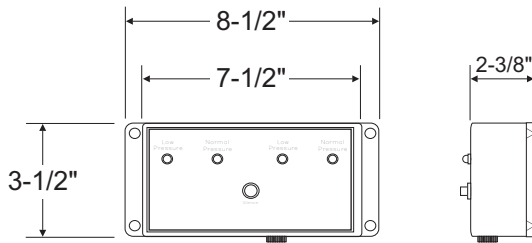
Model With Remote Alarm Pressure Switches  
Front View



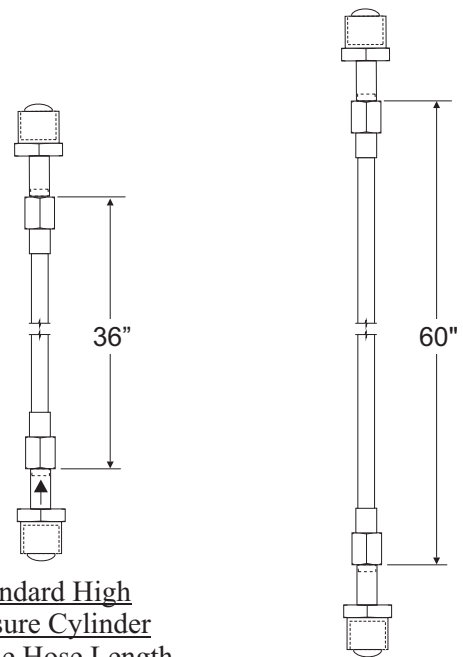
Side View With  
Remote Alarm



Cylinder Header  
(available up to 6 cylinders)

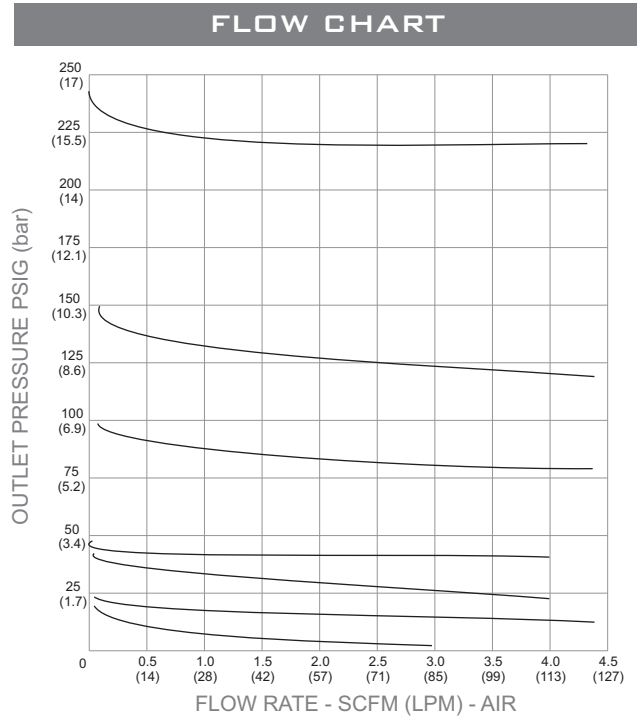
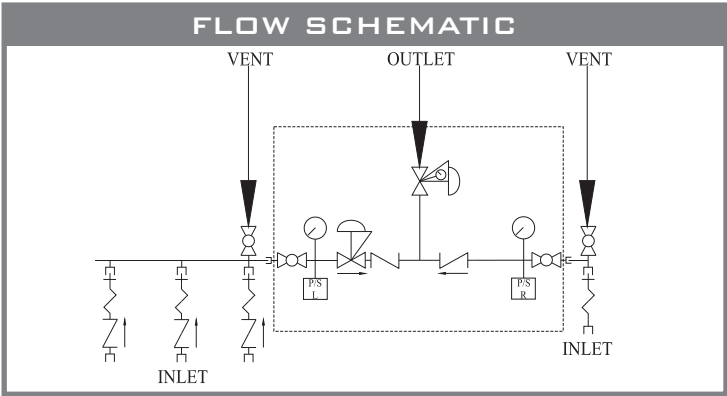


Remote Alarm Box  
*(refer to the accessory section of  
 this brochure for details)*



Standard High  
Pressure Cylinder  
Flexible Hose Length

Standard  
Liquid Cylinder  
Flexible Hose Length



**STANDARD SPECIFICATIONS AND MATERIALS OF CONSTRUCTION**

Model	SA3350 Series Brass Construction	SA3350 Series All Stainless Steel Construction
Maximum Inlet Pressure	Left: 3000 psig / Right: 350 psig	Left: 3000 psig / Right: 350 psig
Outlet Pressure Range	See Selection Matrix	See Selection Matrix
Inlet Connection Fitting	Gas Related Brass CGA Nut & Nipple	Gas Related Type 316 Stainless Steel CGA Nut & Nipple
Gas Service Outlet Connection	1/4" Compression S/S	1/4" Compression S/S
Purge Valve Outlet Connection	1/4" F.NPT	1/4" F.NPT
Operating Temperature	-40°F to 140°F	-40°F to 140°F
Pressure Gauge Dial & Material	2"-Dial, Brass	2"-Dial, Type 316 Stainless Steel
Fitting Size & Material	1/4" NPS, Brass	1/4" NPS, Type 316 Stainless Steel
Pressure Regulator		
Body	Brass Bar Stock	Type 316L Stainless Steel Bar Stock
Diaphragm	Type 316L Stainless Steel	Type 316L Stainless Steel
Filter	10-micron Nickel-Plated Sintered Bronze	40-micron Type 316L Stainless Steel
Seats	PCTFE	PCTFE
Seals	Teflon	Teflon
Vent Valves		
Body	Forging Brass UNS 37700	Type 316 Stainless Steel
Seats	Nylon, Zytel 101 or Celanese 1000-1	PFA
Seals	Virgin Teflon	PFA